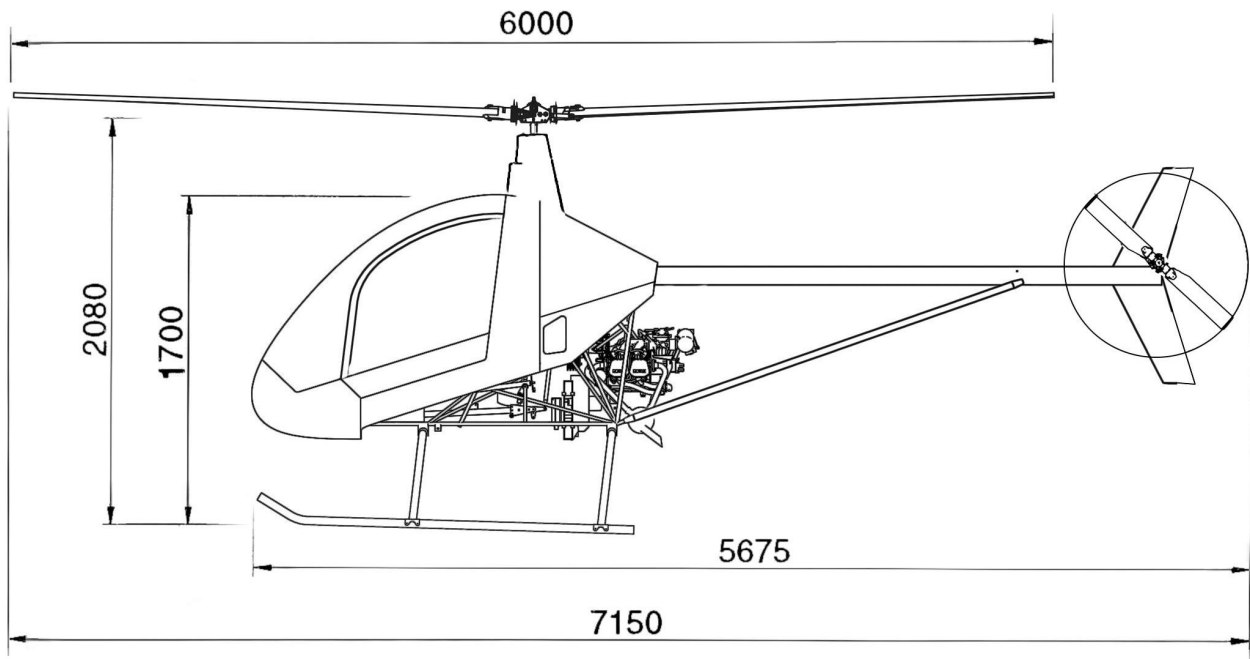


Technical Characteristics of the Single Seat Helicopter CICARE CH-7B



Acceso Cicaré s/n – CP 7260 – Saladillo – BsAs – Argentina
+54 2344 454548 – info@cicare.com.ar – www.cicare.com.ar

Brumby Helicopters - Australia - 0434264557 (Tony Carmody)
www.brumbyhelicopters.com.au - rotorresearch@powerup.com.au



Characteristics	Seats	1
Engine	Manufacturer	Bombardier
	Model	Rotax 912 ULS
	Type	4 Cylinders. Boxer.
	Maximum Power	100 HP
Weight	Empty	250 Kg.
	Maximun	430 Kg.
Performance	Max. Speed(VNE)	194 Km/h
	Cruise Speed	150 km/h
	Rate of Climb	7 M/s
	Service Ceiling	3500 Mts
Endurance		2.5 Hrs.
Fuel type	Gasoline	95 octane ULP

Basic Components of the CH-7B KIT

1. Airframe made of SAE 4130 steel tube.
 2. Skids made of SAE 4130 steel tube and aluminium.
 3. Main gearbox with control systems.
 4. Main rotor assembly with composite blades.
 5. Tail rotor gearbox.
 6. Tail rotor assembly with composite blades.
 7. Aluminium vertical and horizontal stabilizers.
 8. Tail boom with cardan joint drive shaft and push-pull control rod system.
 9. Composite cabin, including windshield, doors, engine cover, seat and seatbelt.
 10. Two fuel tanks.
 11. Standard instrument panel:
 - a) Dual engine-rotor tachometer.
 - b) Main transmission temperature indicator.
 - c) Compass.
 - d) Hour meter.
 - e) Fuel level indicator.
 - f) Engine instruments.
 - g) Standard flight instruments.
 - h) Warning lights.
 12. Governor
 13. Assembly manual.
 14. Maintenance manual.
 15. Parts catalogue.
 16. Carrying wheels.
 17. Cabin, blade tip and rotor protector - cover.
 18. Specific tools for maintenance.
-

Estimated Operating Cost Comparison (July 2010).

Direct Operating Cost (\$A)		
	CH-7B	R-22
Fuel: Ltrs. x Hr	\$23.00	\$63.00
Periodic Inspection	\$5.00	\$10.40
Unscheduled Maintenance	\$4.00	\$12.00
Direct Operating Cost	\$32.00	\$85.40
Reserve for Overhaul (2000 Hrs)		
Engine Overhaul	\$10.00	\$15.00
Helicopter Overhaul	\$16.00	\$38.80
Labour	\$4.50	\$10.20
Reserve for Overhaul	\$30.50	\$64.00
TOTAL per hour	\$62.50	\$149.40

